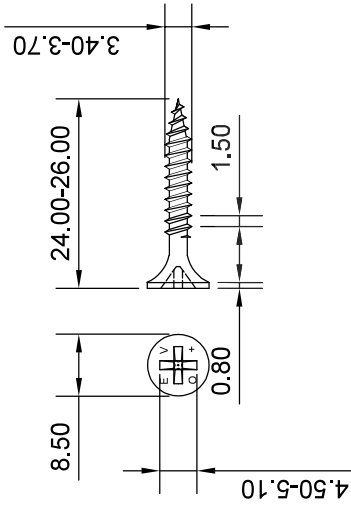


PLEASE NOTE

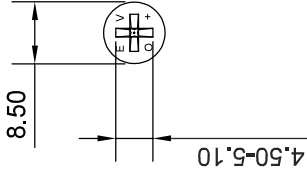
1. DO NOT SCALE

2. All dimensions in millimeters, unless otherwise noted. Structural sections to be designed by others. Evolution Fasteners specified in accordance with material loads provided by project specific Engineer. Evolution fasteners must be installed as per best practice or manufacturers guidelines.

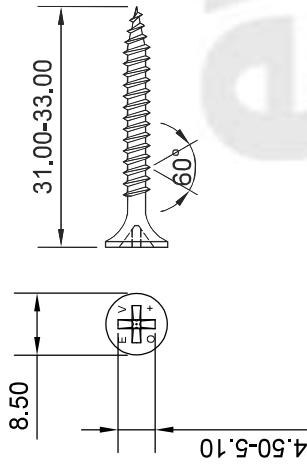
3. Due to the nature of the product, this drawing is provided strictly without prejudice, without recourse, without liability, non-assumpt, no assured value, errors and omissions excepted, subject to change without notice and all rights reserved. This drawing remains the intellectual property of Evolution Fasteners UK Ltd and must not be copied, altered or reproduced without the expressed, written approval of Evolution Fasteners UK Ltd. This drawing supersedes all previous versions and is subject to change without notice, as such dimensions may not match historical stock or product.



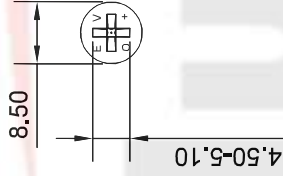
DWSP25



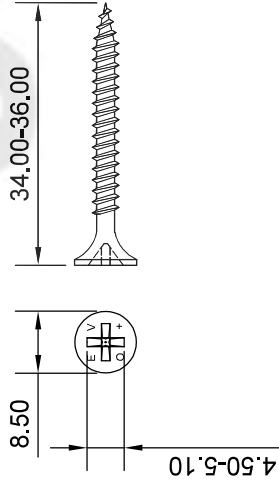
DWSP42



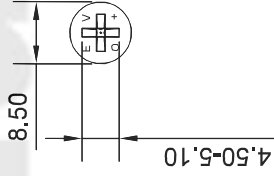
DWSP32



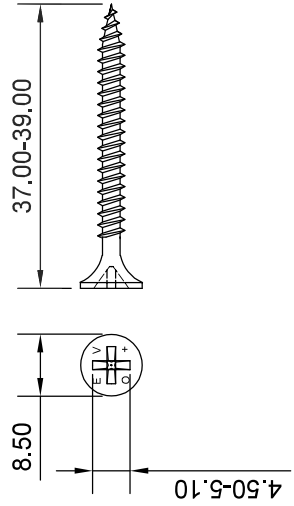
DWSP45



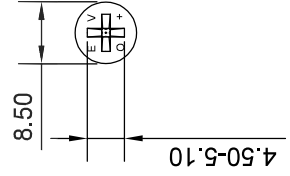
DWSP35



DWSP50



DWSP38



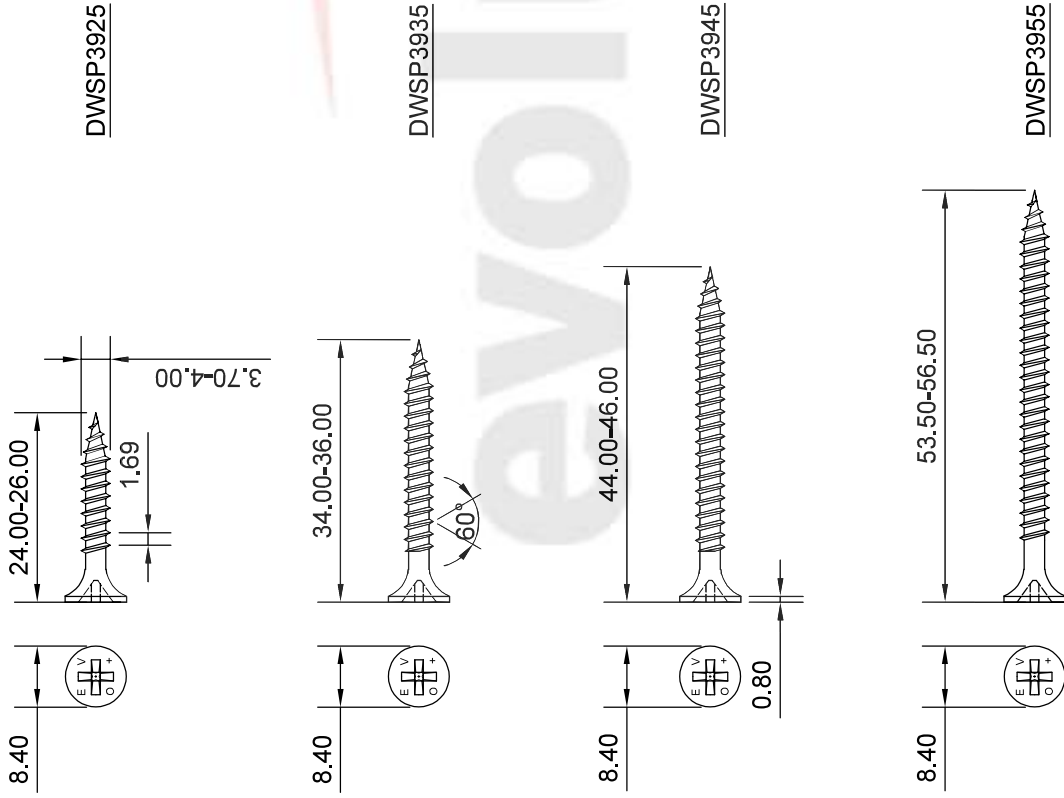
DWSP55


Evolution Fasteners UK Ltd	
DRAWING NUMBER	ISSUE
EVO-TD-DW-FT-0223	01 G
DESCRIPTION	
DWSP RANGE	
FASTENER MATERIAL GRADE	
Carbon Steel (C1022 grade)	
COATING	
Black Phosphate (≥ 5µm)	

PLEASE NOTE

1. DO NOT SCALE

- All dimensions in millimeters, unless otherwise noted. Structural sections to be designed by others. Evolution Fasteners specified in accordance with material loads provided by project specific Engineer. Evolution fasteners must be installed as per best practice or manufacturers guidelines.
- Due to the nature of the product, this drawing is provided strictly without prejudice, without recourse, without liability, non-assumptions, no assured value, errors and omissions excepted, subject to change without notice and all rights reserved. This drawing remains the intellectual property of Evolution Fasteners UK Ltd and must not be copied, altered or reproduced without the expressed, written approval of Evolution Fasteners UK Ltd. This drawing supersedes all previous versions and is subject to change without notice, as such dimensions may not match historical stock or product.



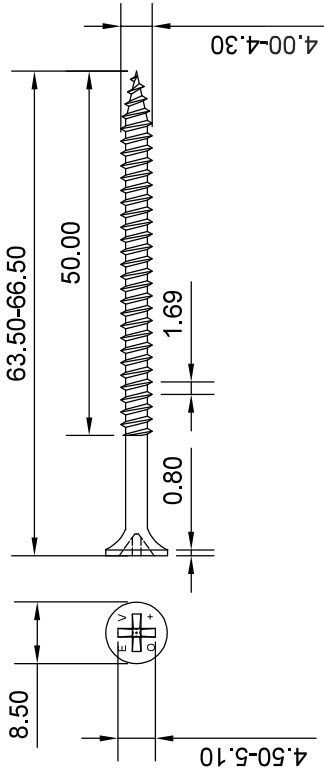
Evolution Fasteners UK Ltd	
DRAWING NUMBER	SHEET / ISSUE
EVO-TD-DW-FT-0223	02 / G
DESCRIPTION	
DWSP RANGE	
FASTENER MATERIAL GRADE:	
Carbon Steel (C1022 grade)	
COATING:	
Black Phosphate (≥ 5µm)	
	

PLEASE NOTE

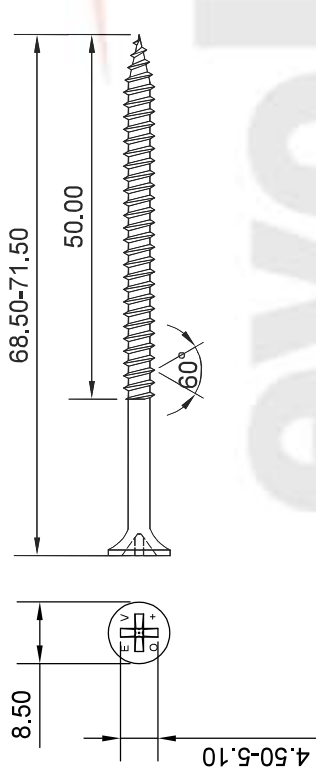
1. DO NOT SCALE

All dimensions in millimeters, unless otherwise noted. Structural sections to be designed by others. Evolution Fasteners specified in accordance with material loads provided by project specific Engineer. Evolution fasteners must be installed as per best practice or manufacturers guidelines.

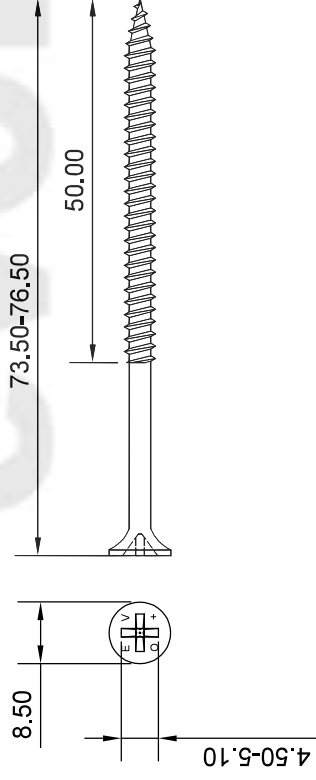
Due to the nature of the product, this drawing is provided strictly without prejudice, without recourse, without liability, non-assumptions, no assured value, errors and omissions excepted, subject to change without notice and all rights reserved. This drawing remains the intellectual property of Evolution Fasteners UK Ltd and must not be copied, altered or reproduced without the expressed, written approval of Evolution Fasteners UK Ltd. This drawing supersedes all previous versions and is subject to change without notice, as such dimensions may not match historical stock or product.



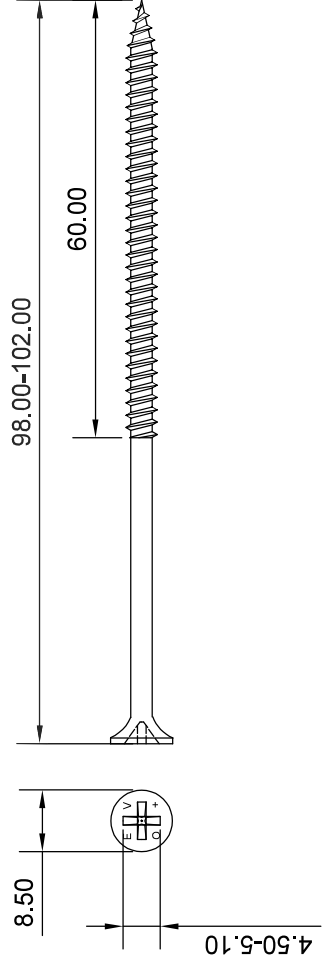
DWSP65



DWSP4270



DWSP75



DWSP100

Evolution Fasteners UK Ltd

DRAWING NUMBER	SHEET	ISSUE
EVO-TD-DW-FT-0223	03	G

DESCRIPTION
DWSP RANGE

FASTENER MATERIAL GRADE
Carbon Steel (C1022 grade)

COATING
Black Phosphate ($\geq 5\mu\text{m}$)



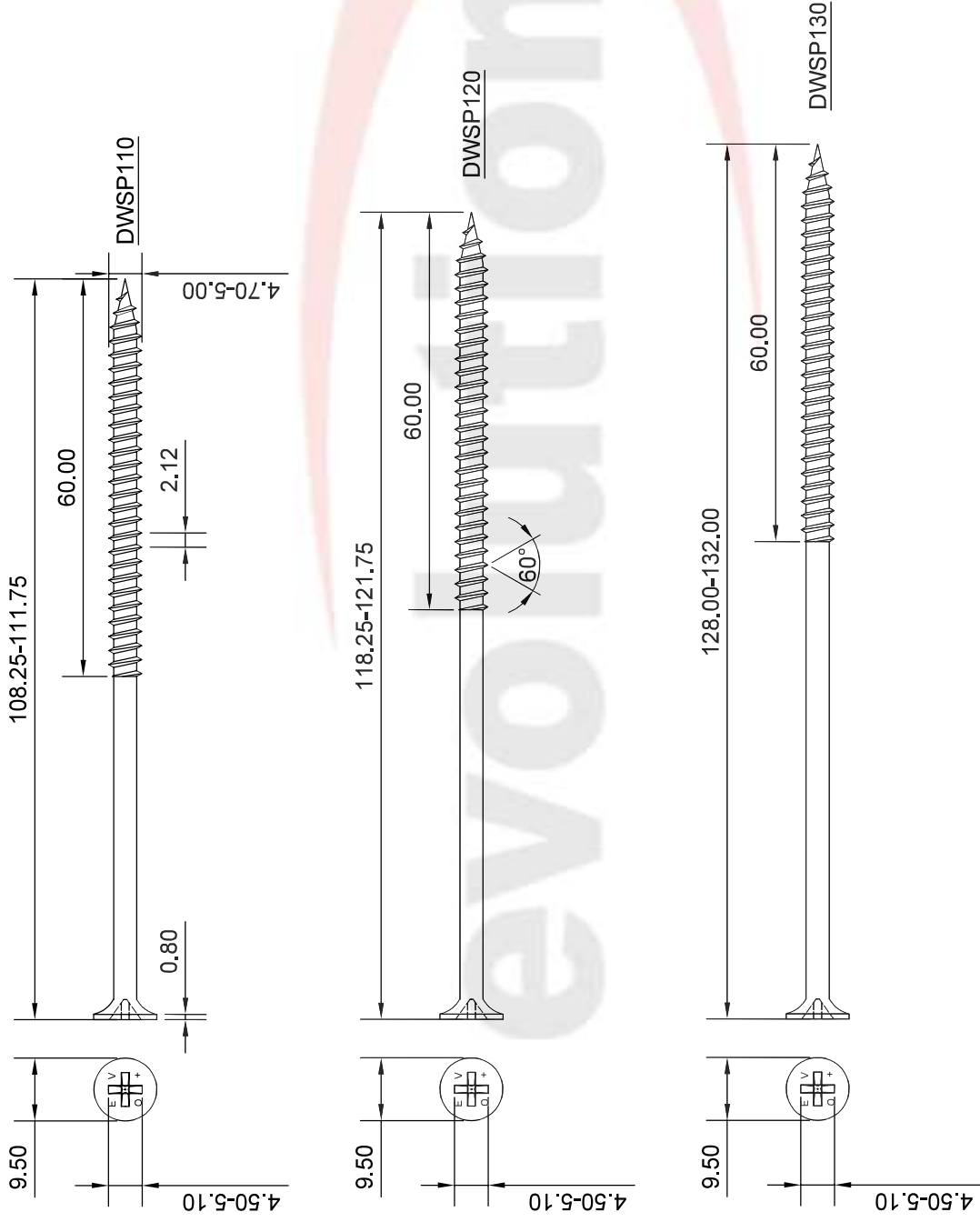
evolution

PLEASE NOTE

1. DO NOT SCALE

2. All dimensions in millimeters, unless otherwise noted. Structural sections to be designed by others. Evolution Fasteners specified in accordance with material loads provided by project specific Engineer. Evolution fasteners must be installed as per best practice or manufacturers guidelines.

3. Due to the nature of the product, this drawing is provided strictly without prejudice, without recourse, without liability, non-assurance, no assured value, errors and omissions excepted, subject to change without notice and all rights reserved. This drawing remains the intellectual property of Evolution Fasteners UK Ltd and must not be copied, altered or reproduced without the expressed, written approval of Evolution Fasteners UK Ltd. This drawing supersedes all previous versions and is subject to change without notice, as such dimensions may not match historical stock or product.



Evolution Fasteners UK Ltd

DRAWING NUMBER	SHEET	ISSUE
EVO-TD-DW-FT-0223	04	G

DESCRIPTION
DWSP RANGE

PASTER MATERIAL GRADE
Carbon Steel (C1022 grade)

COATING
Black Phosphate ($\geq 5\mu\text{m}$)



evolution